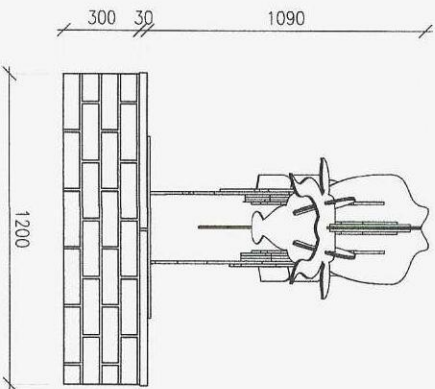


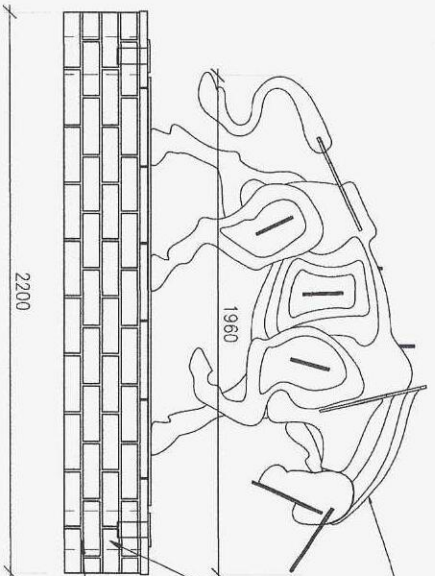
600x300x30mm Brazilian Slate paving on concrete plinth
Slate paving to be 5mm overlapping brick slips and seal
all around to avoid water penetration
grouting of side joints :Mid-grey grout

4no. recessed mounted spots to sit
50mm parallel to metal bull base.
Angled 30 degrees's towards bull.
with GU10 LED spotlight bulbs
producing less than 400 Lumens
each.

Plan



Rear Elevation

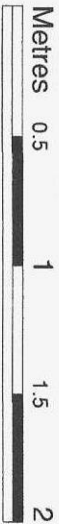


Side Elevation

- 3D Metal bull in stock
Delivery by CFUK
and to be fixed and painted
black by Tegel
- 150mm dia pvc pipe
sleeve down to ground
level – ensure good
drainage through hardcore
- solid concrete plinth clad with
brick slips
Brick slips ref: Terca Olde
Fardole
multi with off white colour
mortar to joints

Scale = 1:20

Metres



NOTES

1. The Contractor shall be responsible for obtaining all necessary permissions and consents for the installation of the artwork.
2. The Contractor shall ensure that the artwork is installed in accordance with the approved drawings and specifications.
3. The Contractor shall be responsible for the maintenance and repair of the artwork throughout its lifetime.
4. The Contractor shall ensure that the artwork is protected from theft and damage during its installation and throughout its lifetime.
5. The Contractor shall be responsible for the removal and disposal of the artwork if it is damaged or stolen.

Mitchells & Butlers Retail
Limited
27 Fleet Street
Birmingham
B3 1JP
0870 609 3000

Tender

REVISIONS	BY	DATE
REVISION DESCRIPTION		

DESIGNCOALITION

THE OLD MILL, CASTLE STREET, ONSLOW, ESSEX, CM6 5PW
ADMIN@DESIGNCOALITION.CO.UK
WWW.DESIGNCOALITION.CO.UK

PROJECT
Charwood
Edinburgh

BRAND
MULLER & CARTER
STEAKHOUSE

RUN -
TITLE
Proposed Bull Statue
Details

DRAWN	SCALE @ A3	DATE
AB	1:20	Feb 26
CHECKED	PROJECT/DRAWING NO	REVISION
5009-701		